

EXPLANATORY DRAWING

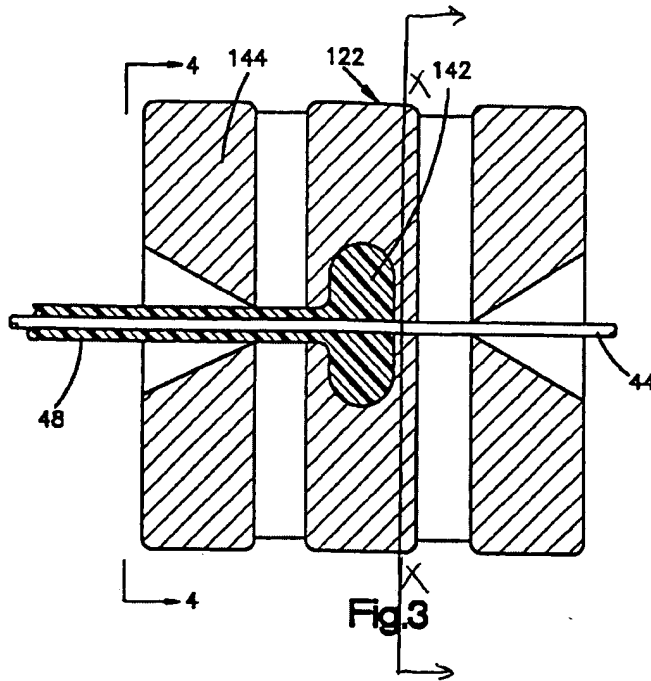
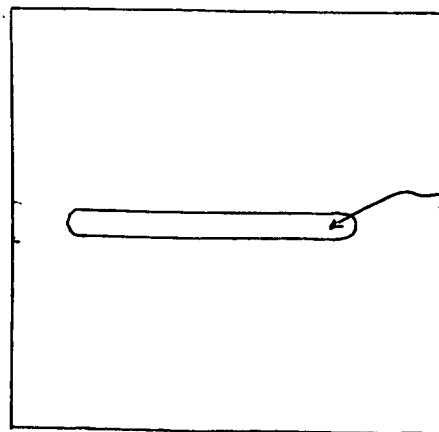


FIG. "X"



OPENING
THROUGH
WHICH
CORDS 44
PASS